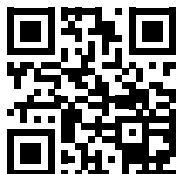




GERM-FOGGER
THE EVOLUTION OF PUBLIC SANITATION

OPERATIONS MANUAL

GF-005



Germ Fogger, LLC. © 2020
2401 NW 22nd Ave.
Portland, OR. 97210
Phone: 1-503-236-4500
www.germ-fogger.com

TABLE OF CONTENTS

HAZARD WARNINGS	1
SAFETY PRECAUTIONS	3
SYSTEM COMPONENTS	4
HOW TO OPERATE	5
MAINTENANCE	6
WARRANTY	7

HAZARD WARNINGS



Please read the manual carefully and pay special attention to the symbols and warning labels. No chemicals are ever supplied by Germ-Fogger™ LLC. All liquids used are solely responsible of the operator for this equipment. Warning labels indicate a potentially hazardous situation which, if not avoided, could result in death or serious injury. It is the owner's responsibility to ensure that all who operate this equipment read this manual.

HAZARD WARNINGS

- Read and fully understand the Germ-Fogger™ Operators Manual prior to using the equipment.
- Read and fully understand CDC approved product labels prior to using any liquid product with the Germ-Fogger™ equipment.
- Germ-Fogger™ equipment should never be used in an area containing volatile chemicals. Nor should it be used in any area containing volatile or explosive levels of gas, vapor or particles.
- Germ-Fogger™ should never be used by untrained personnel.

CLEANING SOLVENT HAZARD

Fluid from equipment that leaks or ruptures from a component can splash in the eyes or on skin, causing serious injury.

- Check hoses, tubes and couplings daily. Replace worn or damaged parts immediately.

PRESSURIZED EQUIPMENT HAZARD

Fluid from equipment that leaks or ruptures from a component can splash in the eyes or on skin, causing serious injury.

- Check hoses, tubes and couplings daily. Replace worn or damaged parts immediately.



FIRE, EXPLOSION AND ELECTRIC SHOCK HAZARD

Flammable fumes, such as solvent and paint fumes, in work area can ignite or explode. To help prevent fire, explosion and electric shock:

- Germ-Fogger™ equipment must be used only by trained, qualified personnel who understand the requirements of this manual.
- Stop operation immediately if static sparking occurs or you feel shock. Do not use equipment until you identify and correct the problem.
- Never spray a flammable chemical.
- Do not plug or unplug power cords or turn lights on or off when flammable fumes are present.
- Keep spray area free of debris, including solvents, rags, gasoline or any flammable chemicals.
- Keep a working fire extinguisher in the work area.

CHEMICAL MISUSE HAZARD

Each chemical, such as a disinfectant, has a unique set of hazards and needs to be handled properly to ensure worker safety.

- Never spray any liquid product that is not CDC approved. Be aware that many chemical liquid can be harmful if they are not used properly.
- Read and understand the approved CDC chemical and label prior to use.
- Be aware of first aid procedures related to the product in use.
- Never spray a flammable chemical (flash point less than 60°C) .
- Insure the area being sprayed has proper ventilation.
- Store chemicals in original containers in a cool, dry place, away from heat.

EQUIPMENT MISUSE HAZARD

Misuse can cause death or serious injury

- Do not operate the unit when fatigued or under the influence of drugs or alcohol.
- Do not leave the work area while unit is on.
- Turn off all equipment when not in use.
- Check equipment daily. Contact Germ-Fogger™ immediately to repair or replace worn/damaged parts.
- Route hoses and power cords away from traffic areas, sharp edges, moving parts, and hot surfaces
- Equipment warranty shall not apply to defects or malfunctions resulting from: improper use by owner, unauthorized modification, unapproved disinfecting agents, misuse, improper installation, or improper maintenance.

SAFETY PRECAUTIONS



Basic safety precautions should always be followed to reduce the risk of burns, fire, electrical shock, injury and/or death.

PROTECTIVE GEAR

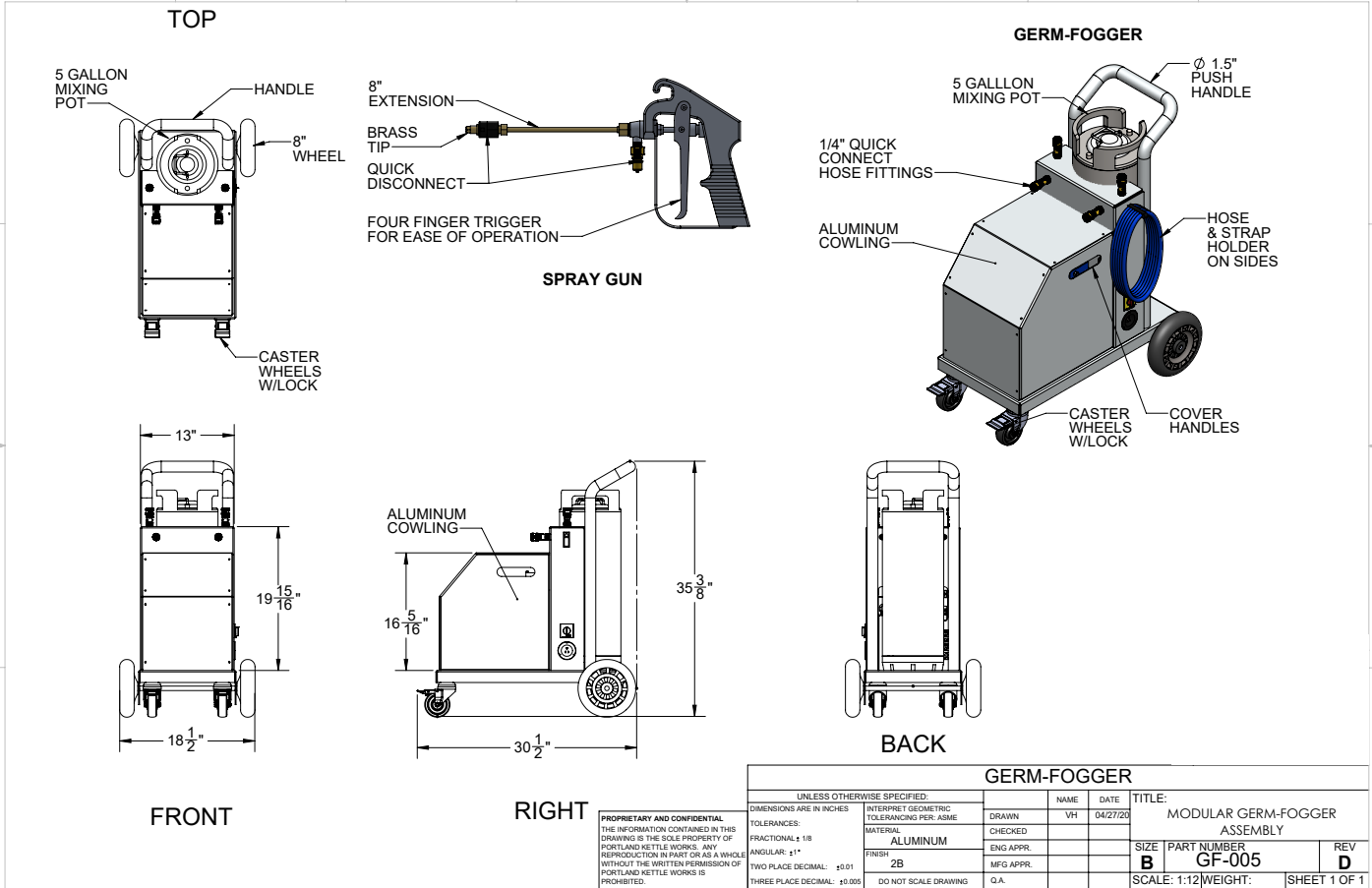
- Personal Protective Equipment (PPE) must comply with the most updated American National Standards Institute.
- Eye and face PPE shall be distinctly marked to facilitate identification of the manufacturer.
- The following minimum requirements must be met by all protective devices:
- Provide adequate protection against the particular hazards for which they are designed.
- Be of safe design and construction for the work to be performed.
- Be reasonably comfortable when worn under the designated conditions.
- Fit snugly and not unduly interfere with the movements of the wearer.
- Be durable.
- Be capable of being disinfected.
- Be easily cleanable or disposable.

RECOMMEND USE OF FULLY ENCLOSED EYE-WEAR PROTECTIONS, SUCH AS GOGGLES, WHEN USING THIS DEVICE. ALWAYS USE APPROPRIATE PPE.



GERM-FOGGER
THE EVOLUTION OF PUBLIC SANITATION

QUICK START GF-005



TECHNICAL SPECIFICATIONS

Dimensions	L: 30.5 in. (0.77m) x W: 18.5 in. (0.47m) x H: 35.4 in. (0.89m)
Weight	70 lbs (31.75 kg)
Chemical Coverage	1 Gun - 10,500 sq. ft. per gallon.
Hose Length	Standard 50 ft. 150ft. Allowed.
Droplet Size	Median Diameter - 35-40 microns
Power	120V/60AC

1. PREPARING FOR SPRAY

1. Operator must wear approved Personal Protective Equipment based on chemical manufacture requirement.
2. Visit [cdc.gov](https://www.cdc.gov) for information about proper chemical usage and their hazards.
3. Clear the area for general public before sanitizing. Place signs or warning indicators to ensure no one should enter the area.
4. Ensure caster wheels are locked when not moving or operating the Germ-Fogger™ unit.
5. Ensure power is switched to "OFF" on the Germ-Fogger™ unit.

3. OPERATIONAL PROCEDURES

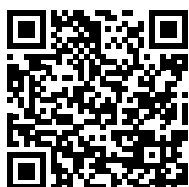
1. Clear the area for general public before sanitizing. Place signs or warning indicators to ensure no one should enter the area.
2. Position Germ-Fogger in a clear area away from other objects.
3. Turn the switch "ON".
4. Ensure valve(s) are turned counter-clockwise to allow fluid to pass through. Wait about 20 seconds to generate a steady flow of chemical solution.
5. Direct the spray gun nozzle at the desired surface. Press the four finger trigger to initiate spraying.
6. Follow a continuous path around the working area from high to low areas in a sweeping motion until all surfaces are covered.
7. After spraying, keep the area closed to the public based on CDC chemical requirements.
8. Remove all warnings and signs after the sanitized time requirement is complete.

2. UNIT SETUP

1. Apply desired chemical cleaning agent to the mixing pot with appropriate water ratio.
2. Connect proper compressor hose to match the in/out fitting on mixing pot. Ensure mixing pot is properly secure.
3. Unwrap hose and attach to the 1/4" quick connect hose fitting.
4. Disconnect spray guns from Germ-Fogger™ unit and quick connect to proper hose fitting.
5. Unwrap electrical cord completely and plug into safe three-pronged socket.

4. AFTER USE AND STORAGE

1. Stop spraying the Germ-Fogger™ unit and turn the switch "OFF".
2. Ensure caster wheels are locked when not moving or operating the Germ-Fogger™ unit.
3. Unplug electrical cord and store away properly on the Germ-Fogger™ unit.
4. Ensure valve(s) are turned clockwise to limit fluid to pass through.
5. Quick disconnect the spray gun and properly place on the Germ-Fogger™ unit.
6. Quick disconnect hose and drain any excess chemical solution.
7. Wrap hose tightly and properly place on Germ-Fogger™ unit.
8. Store in a safe, dry place. Do not expose to or store in freezing temperatures.



For more information about operational procedures please visit our [Youtube Channel](#) or scan code with any smartphone or mobile device.
Note: All information is subject to change.

MAINTENANCE

In order for the Germ-Fogger™ system to remain functional, the equipment should be cleaned and maintained after every use.

CHANGING CHEMICAL CAPACITY

1. Follow “After Use and Storage” section on page 6 before changing chemical solutions.
2. Disconnect both compression hose fittings on the mixing pot by pulling knobs up, then lifting to unlock and release.
3. Safely lift the mixing pot up and out of the unit.
4. Pull ring on top of mixing pot to release all pressure before removing lid.
5. Pull lever off the mixing pot to open lid.
6. Drain all liquid from mixing pot and thoroughly rinse with clean water.
7. Chose the appropriate CDC approved product for cleaning, sanitizing, or disinfecting.
8. Visit cdc.gov for information about proper chemical usage and their hazards.
9. Follow “Unit Setup” on page 5 to properly insert chemicals before operating the unit.

CLEANING THE NOZZLE

The most important thing you can do to ensure trouble-free operation of this component is to rinse the nozzle out with clean water after every use. By cleaning your nozzle after each usage, you will avoid the long-term chemical buildup that eventually causes clogs, poor spray patterns, and shortened life of the nozzle components.

1. Quick disconnect the nozzle tip from the end of the gun. Remove the tip retention ring from the nozzle body base using two wrenches.
2. Inspect for any damage to the liquid tip, filter, and spraying capacitor.
3. Check for any debris and/or corrosion. Gently wash down with clean water and remove excess with a Q- tip or precision needle. If any issues are noted, remove/replace immediately.
4. Be sure to also thoroughly clean all exterior surfaces of the nozzle. Never use a wire brush, file, or sandpaper to clean any surface of the nozzle. Never spit or blow inside or around the nozzle component.



Important: The nozzle should never be hand-tightened. Never use pliers or other similar tools, as this may cause damage. If any issues continue to persist, remove/replace immediately. Refer to our [Youtube Video](#) on how to safely clean your nozzle.

WARRANTY

Product must be registered [here](#) online within 30 days with serial number provided on your unit. Germ-Fogger™ disinfecting system warranty to the original owner goes as follows:

- For defects in materials and workmanship of the cart chassis, cart, castors, wheels, etc. for a period of three (3) years from receipt by the original owner.
- For all other components such as pump, compressor, electronic controls, etc. for a period of one (1) year from receipt by the original owner.

CUSTOMER RESPONSIBILITIES

This warranty shall not apply to defects or malfunctions resulting from: improper use by owner, unauthorized modification, unapproved disinfecting agents, misuse, improper installation, or improper maintenance.

OBTAINING WARRANTY SERVICE

To obtain warranty service, products must be returned to the Germ Fogger factory, provided that prior authorization is obtained. In the event repair is authorized, owner shall prepay all charges for shipping products to the factory and Germ Fogger shall pay all shipping charges for the return of the products to the owner.

NON-TRANSFERABLE

This warranty is offered to the original end user owner only and is not assignable or transferable to any other party without the express written consent of Germ Fogger.

LIMITATIONS OF WARRANTY

GERM-FOGGER MAKES NO OTHER WARRANTY, EITHER EXPRESSED OR IMPLIED, WITH RESPECT TO THIS PRODUCT. GERM FOGGER SPECIFICALLY DISCLAIMS THE IMPLIED WARRANTIES OF MERCHANTABILITY AND FITNESS FOR A PARTICULAR PURPOSE.

This warranty gives you specific legal rights, and you may also have other rights which vary from state to state.

EXCLUSIVE REMEDIES

The remedies provided herein are owner's sole and exclusive remedies. In no event shall Germ Fogger be liable for any direct, indirect, special, incidental, or consequential damages, whether based on contract, tort, or any other legal theory.