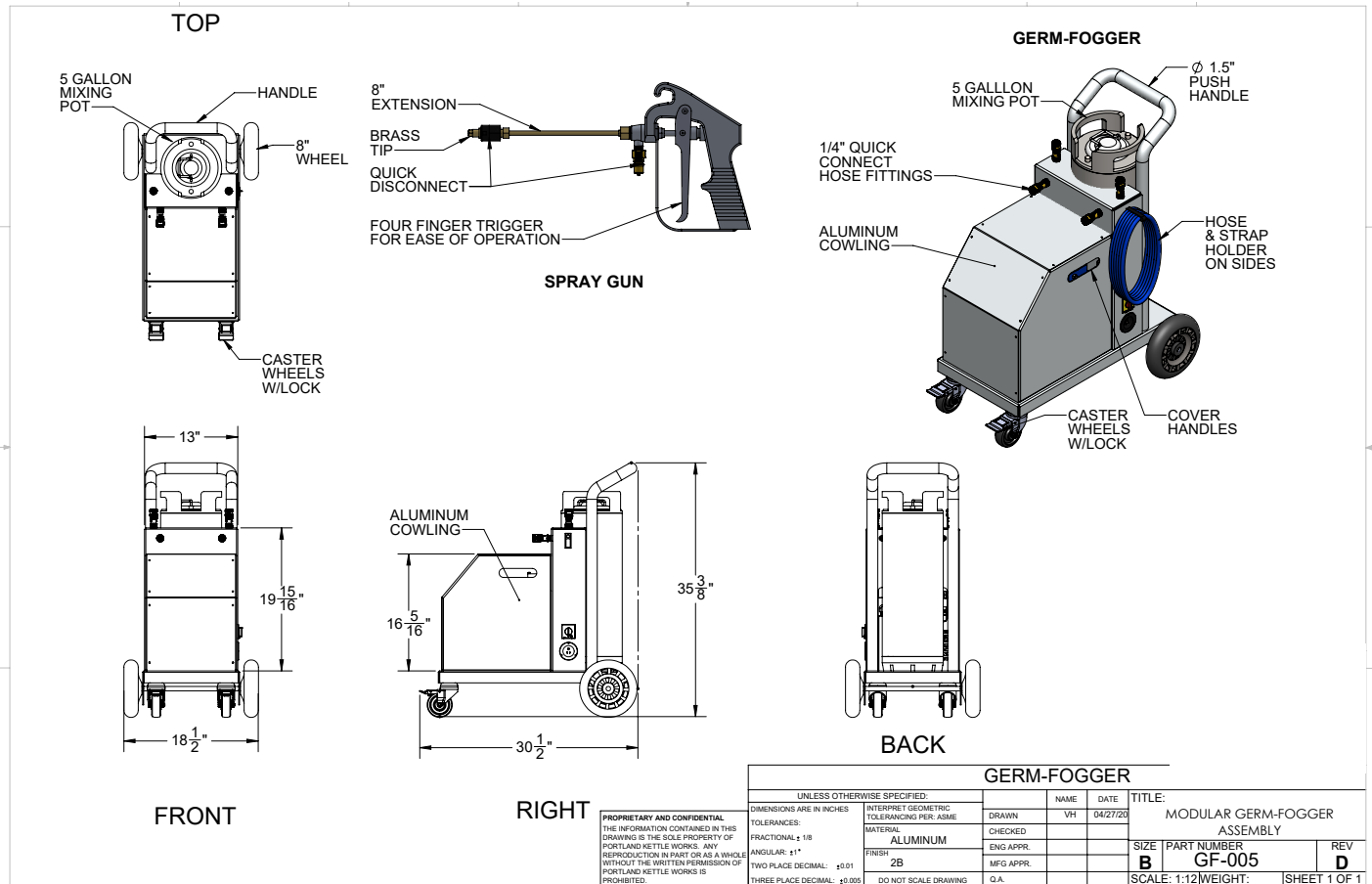




**GERM-FOGGER**  
THE EVOLUTION OF PUBLIC SANITATION

# QUICK START GF-005



## TECHNICAL SPECIFICATIONS

Dimensions	L: 30.5 in. (0.77m) x W: 18.5 in. (0.47m) x H: 35.4 in. (0.89m)
Weight	70 lbs (31.75 kg)
Chemical Coverage	1 Gun - 10,500 sq. ft. per gallon.
Hose Length	Standard 50 ft. 150ft. Allowed.
Droplet Size	Median Diameter - 35-40 microns
Power	120V/60AC

## 1. PREPARING FOR SPRAY

1. Operator must wear approved Personal Protective Equipment based on chemical manufacture requirement.
2. Visit [cdc.gov](https://www.cdc.gov) for information about proper chemical usage and their hazards.
3. Clear the area for general public before sanitizing. Place signs or warning indicators to ensure no one should enter the area.
4. Ensure caster wheels are locked when not moving or operating the Germ-Fogger™ unit.
5. Ensure power is switched to "OFF" on the Germ-Fogger™ unit.

## 3. OPERATIONAL PROCEDURES

1. Clear the area for general public before sanitizing. Place signs or warning indicators to ensure no one should enter the area.
2. Position Germ-Fogger in a clear area away from other objects.
3. Turn the switch "ON".
4. Ensure valve(s) are turned counter-clockwise to allow fluid to pass through. Wait about 20 seconds to generate a steady flow of chemical solution.
5. Direct the spray gun nozzle at the desired surface. Press the four finger trigger to initiate spraying.
6. Follow a continuous path around the working area from high to low areas in a sweeping motion until all surfaces are covered.
7. After spraying, keep the area closed to the public based on CDC chemical requirements.
8. Remove all warnings and signs after the sanitized time requirement is complete.

## 2. UNIT SETUP

1. Apply desired chemical cleaning agent to the mixing pot with appropriate water ratio.
2. Connect proper compressor hose to match the in/out fitting on mixing pot. Ensure mixing pot is properly secure.
3. Unwrap hose and attach to the 1/4" quick connect hose fitting.
4. Disconnect spray guns from Germ-Fogger™ unit and quick connect to proper hose fitting.
5. Unwrap electrical cord completely and plug into safe three-pronged socket.

## 4. AFTER USE AND STORAGE

1. Stop spraying the Germ-Fogger™ unit and turn the switch "OFF".
2. Ensure caster wheels are locked when not moving or operating the Germ-Fogger™ unit.
3. Unplug electrical cord and store away properly on the Germ-Fogger™ unit.
4. Ensure valve(s) are turned clockwise to limit fluid to pass through.
5. Quick disconnect the spray gun and properly place on the Germ-Fogger™ unit.
6. Quick disconnect hose and drain any excess chemical solution.
7. Wrap hose tightly and properly place on Germ-Fogger™ unit.
8. Store in a safe, dry place. Do not expose to or store in freezing temperatures.



For more information about operational procedures please visit our [Youtube Channel](#) or scan code with any smartphone or mobile device.  
Note: All information is subject to change.