



GERM-FOGGER.COM
PUBLIC SANITATION AND SAFETY SOLUTIONS

MODEL GF-005





POWER TYPE

120V/60 AC HZ



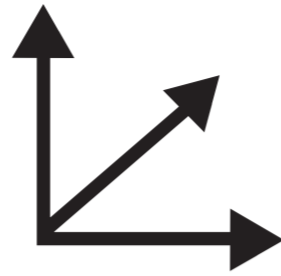
CHEMICAL CAPACITY

5 GALLONS (18.9 L.)



AREA COVERAGE

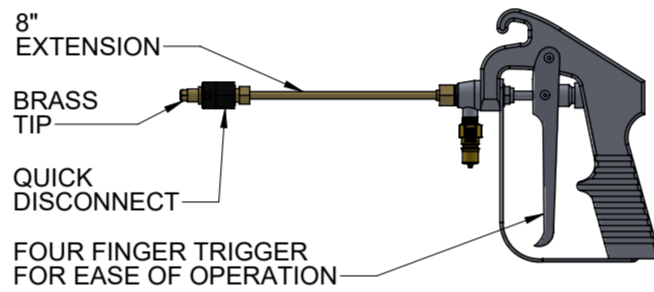
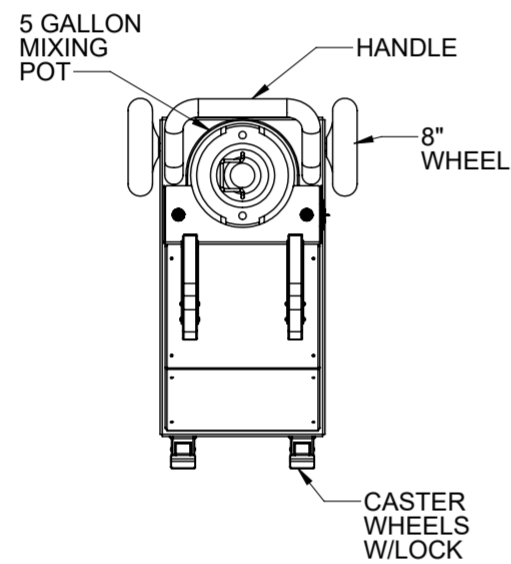
SINGLE GUN - 10,500 SQ. FT. PER GALLON



GF-005 DIMENSIONS

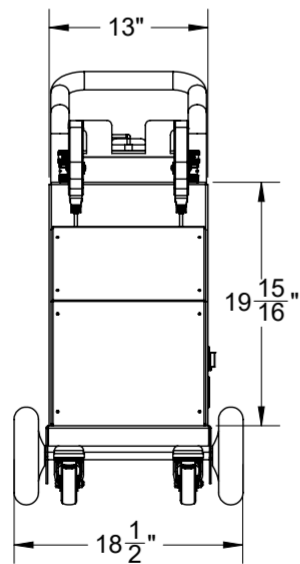
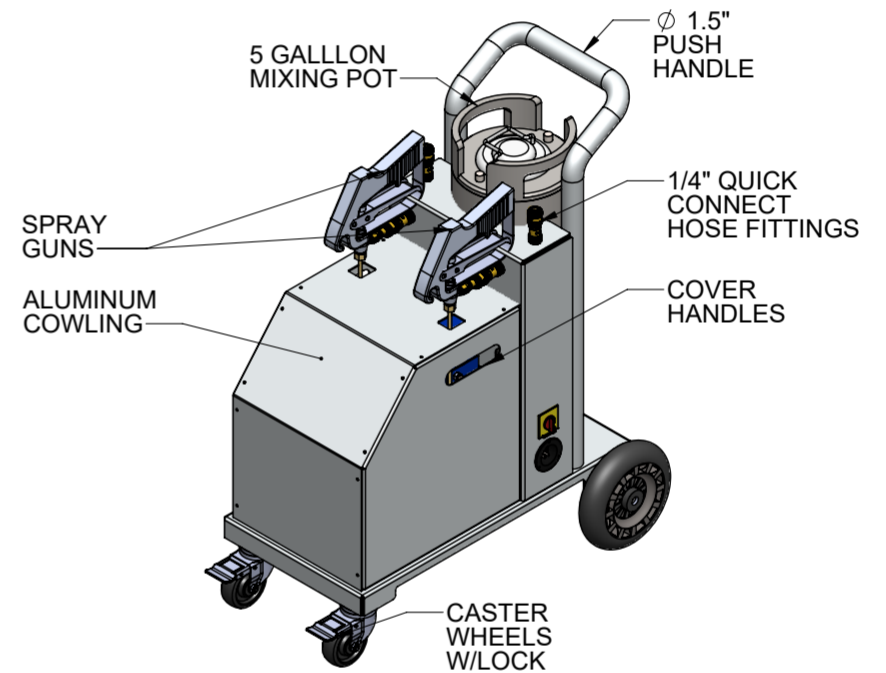
30.5in x 18.5in x 35in

TOP

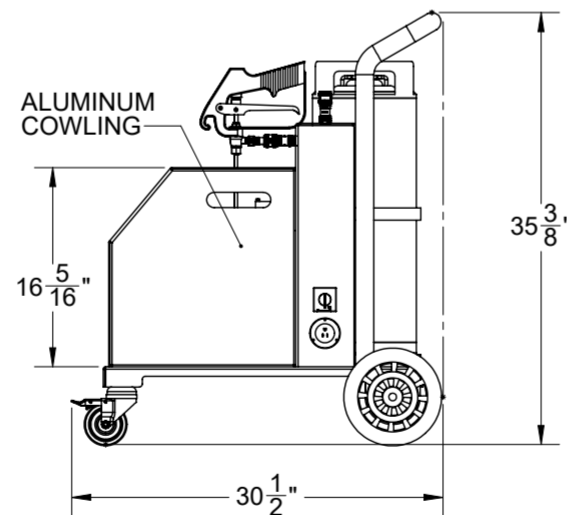


SPRAY GUN

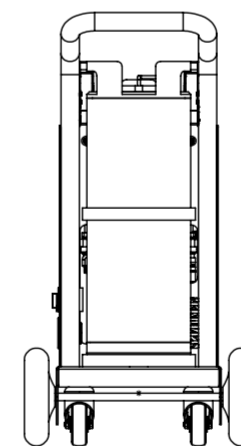
GERM-FOGGER



FRONT



RIGHT



BACK



PROPRIETARY AND CONFIDENTIAL
 THE INFORMATION CONTAINED IN THIS DRAWING IS THE SOLE PROPERTY OF PORTLAND KETTLE WORKS. ANY REPRODUCTION IN PART OR AS A WHOLE WITHOUT THE WRITTEN PERMISSION OF PORTLAND KETTLE WORKS IS PROHIBITED.

UNLESS OTHERWISE SPECIFIED:				NAME		DATE		TITLE:	
DIMENSIONS ARE IN INCHES		INTERPRET GEOMETRIC TOLERANCING PER: ASME		DRAWN	VH	04/27/20		MODULAR GERM-FOGGER ASSEMBLY	
TOLERANCES:		MATERIAL		CHECKED					
FRACTIONAL: ± 1/8		ALUMINUM		ENG APPR.				SIZE PART NUMBER	
ANGULAR: ± 1°		FINISH		MFG APPR.				B GF-005	
TWO PLACE DECIMAL: ±0.01		2B		Q.A.				SCALE: 1:12 WEIGHT: SHEET 1 OF 1	
THREE PLACE DECIMAL: ±0.005		DO NOT SCALE DRAWING						REV C	



TECHNICAL SPECIFICATIONS

Warranty	3-year chassis, 1 year component
Disinfectant Solution	Any commercial grade product with approximate viscosity of water. (1 cP at 20 degrees C.)
Discharge Gun type	Lightweight aluminum and brass
Discharge Hose Length	As equipped 50 feet. Total allowed length 150 feet.
Output Distance	2-5 feet (60-150 Centimeters)
Output Volume	5.7 Oz/minute (166 ml/minute)
Flow Rate	5.7 Oz/minute (166 ml/minute)
Chemical Coverage	Roughly 10,500 sq. ft. per gallon.
Power Cable	3 prong, whip
Noise Level (dB)	65 dB
Nozzle Type	Brass, Fogging
Nozzle Tip Replacement	Quick disconnect and instantaneous. (No tools required)
Nozzle Tip Cleanable and Reusable	Yes
Number of Nozzles	3 supplied standard per gun, additional nozzles available
Number of Applicator Guns	1 standard, Capacity for 2 per GF-005 power pack
Droplet size	Median diameter 35-40 microns
Wheel type	4 - 2 x fixed, 2 x steering, non-marking
Machine Weight	70lbs (31.75 kg)
Country of Origin	USA

GERM FOGGER, LLC
2401 NW 22ND AVE.
PORTLAND, OREGON 97210 USA
PHONE: 1-503-236-4500

ALL SPECIFICATIONS SUBJECT TO CHANGE WITHOUT NOTICE
ALL INFORMATION HEREIN CONFIDENTIAL AND PROPRIETARY TO GERM FOGGER, LLC
COPYRIGHT © 2020, GERM FOGGER, LLC. ALL RIGHTS RESERVED.